

LU5

Signal Tower



LED



2 Alarm Sounds

85dB at 1m

IP65

Ø50

NPN/PNP
Open-collector



Versatile modular Signal Tower featuring easy assembly and wiring designed for every need.

FEATURES

- PATLITE's exclusive hybrid prism-cut lens designed for enhanced visibility from any direction and distance.
- Two built-in alarms (FB Type) with selectable sound patterns.
- Maximum volume of up to 85dB (at 1m).
- Direct or pole* mount installation.
- Color-coordinated Terminal block corresponding to the lens colors for quick wiring and verification.
- Interchangeable LED Modules requires no re-wiring, even after installation.
- Lens is made of superior impact and heat resistant polycarbonate resin for superior durability and light transmission.
- Available Colors are in Red, Amber, Green, Blue, and Clear/White.

AVAILABLE BY SPECIAL ORDER

- Modules of the same color can be modified to operate from different terminals.

* Optional part sold separately.

How to Order



LED Module	Base Unit
LU5-E-R	LU5-02UFB
Color	Rated Voltage
R: Red	02: DC 24V
Y: Amber	Base Color
G: Green	Blank: Ivory White
B: Blue	U : Silver
C: White/Clear	K : Black
LED Unit	Type
	Blank: Continuous Light
	FB : Flashing/ Alarm

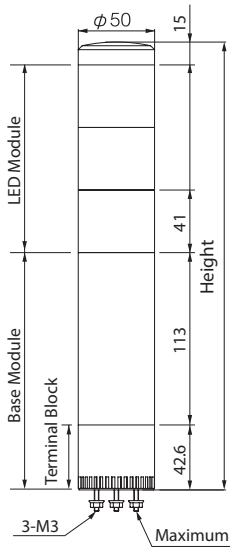
Specifications (Module)

Module Color	Model	Rated Voltage	Operating Voltage Range	Current/ Power Consumption	Mass
RED	LU5-E-R	DC 24V	21.6V - 26.4V	44mA/1.06W	44g
AMBER	LU5-E-Y				
GREEN	LU5-E-G				
BLUE	LU5-E-B				
CLEAR	LU5-E-C			17mA/0.41W	

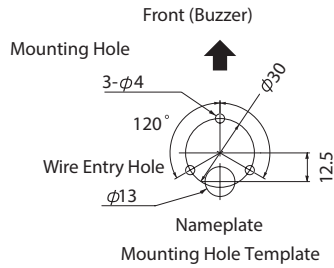
Specifications (Base)

Model	Options	Rated Voltage	Operating Voltage Range	Open Collector	Mass
LU5-02	Continuous	DC 24V	21.6V - 26.4V	NPN/PNP	182g
LU5-02FB	2 Sounds/Flash				200g

Dimensions (Unit: mm)



Mounting Dimensions



LUS Type

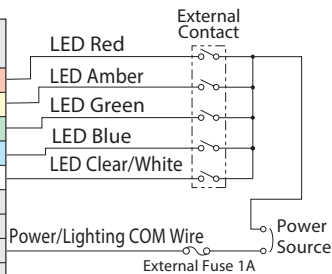
Height
1 Tier: 211
2 tiers: 252
3 Tiers: 293
4 Tiers: 334
5 Tiers: 375

3-M3 Maximum Panel Thickness: 10

• AC/DC 24V Lighting Type

[CN2]

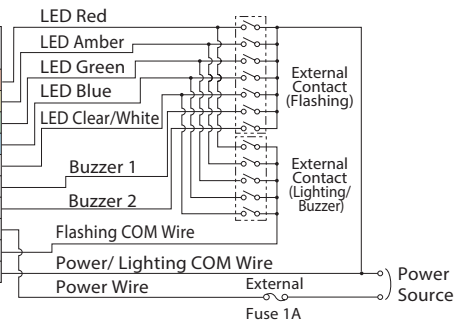
Terminal No.	Terminal Color	Module/Operation
1	Red	Red LED Module
2	Amber	Amber LED Module
3	Green	Green LED Module
4	Blue	Blue LED Module
5	White	White LED Module
6	Gray	
7	Black	
8	Yellow	Power/Lighting COM
9	Grey	
10	Black	



• AC/DC 24V Lighting/Flashing Type

[CN2]

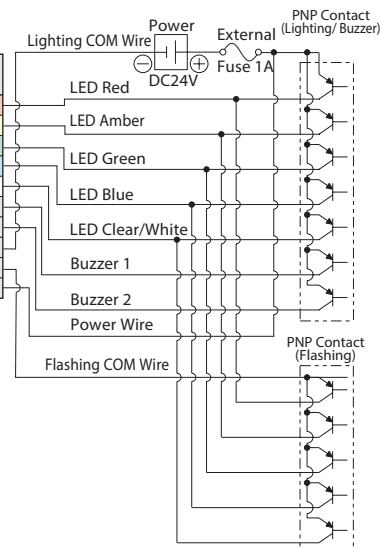
Terminal No.	Terminal Color	Module/Operation
1	Red	Red LED Module
2	Amber	Amber LED Module
3	Green	Green LED Module
4	Blue	Blue LED Module
5	White	White LED Module
6	Gray	Buzzer 1
7	Black	Buzzer 2
8	Yellow	Power
9	Grey	Flashing COM
10	Black	Power/Flashing COM



• DC 24V PNP FB Type

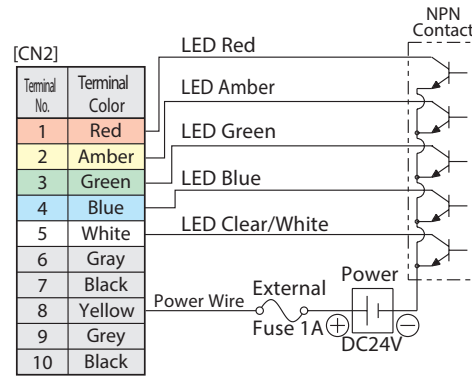
[CN2]

Terminal No.	Terminal Color
1	Red
2	Amber
3	Green
4	Blue
5	White
6	Gray
7	Black
8	Yellow
9	Grey
10	Black

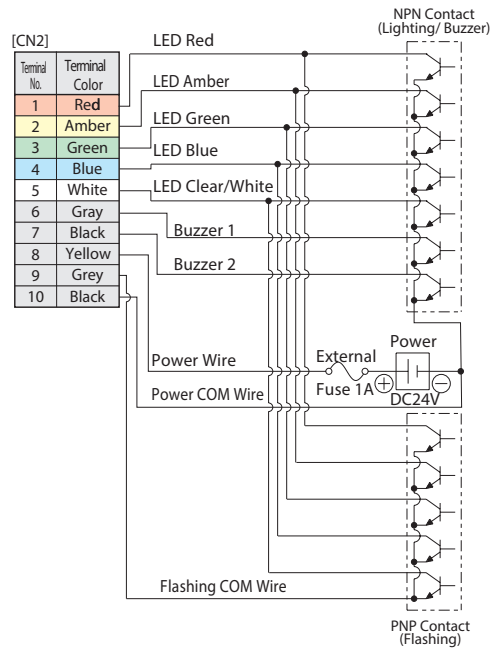


Wiring

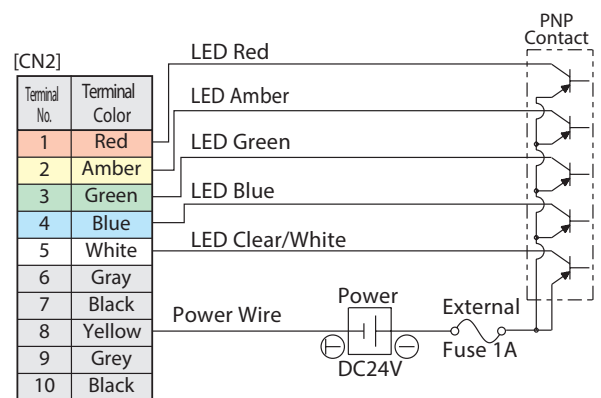
• DC 24V NPN Type



• DC 24V NPN FB Type

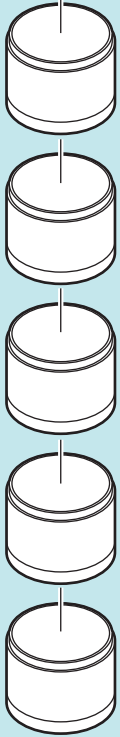
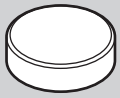


• DC 24V PNP Type



External Contact Capacity

Specifications		24V DC
LED Unit (1 Unit)	Current Consumption	Red,Amber: 52mA Green,Blue,White/Clear: 42mA
	Contact Capacity	Is≥100mA, Vs≥35V AC
Buzzer	Current Consumption	50mA
	Inrush Current	100mA
	Contact Capacity	Is≥100mA, Vs≥35V AC
Power Supply	Current Consumption	360mA
	Contact Capacity	Is≥500mA, Vs≥35V AC
External Contact Fuse		
Voltage		Fuse Amperage Rating
All Models		250V, 1A



LED Units



Model	LU5-E-R	LU5-E-Y	LU5-E-G	LU5-E-B	LU5-E-C
Unit Color					
Rated Voltage	24V DC				
Operating Voltage Range	Rated Voltage $\pm 10\%$ (21.6 to 26.4V)				
Current/Power Consumption	52mA/1.25W		42mA/1.0W		
Operating Temperature Range	-30°C to +60°C				
Mass (Tolerance $\pm 10\%$)	44g				

RED AMBER GREEN BLUE CLEAR/WHITE

BASE Units



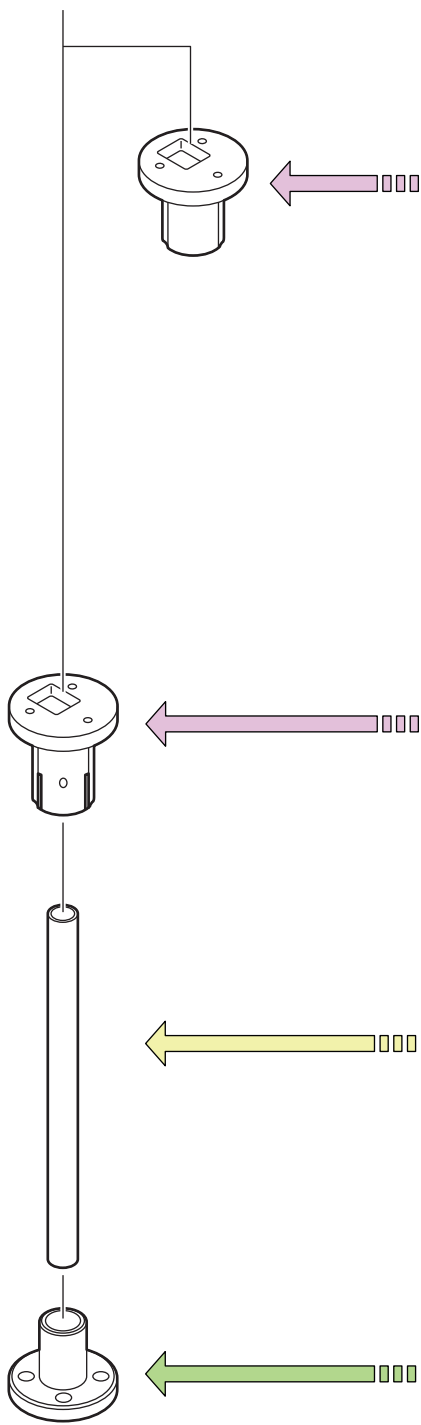
Model	LU5-02	LU5-02FB
Color		
Body Style	Standard	
Rated Voltage	24V DC	
Operating Voltage Range	Rated Voltage $\pm 10\%$ (21.6 ~ 26.4V)	
Alarm		*Buzzer 1 *Buzzer 2
Current Consumption		50 \pm 10mA 24 \pm 10mA
Power Consumption		1.2 \pm 0.25W 0.58 \pm 0.25W
Sound Level		Max:85 \pm 5dB (at 1m)
Flashing Cycle		60 \pm 12 flashes per minutes
Operating Temperature Range	-30°C to +60°C	
Mounting Direction	Upright, indoor only	
Protection Rating	IP65	
Mass (Tolerance $\pm 10\%$)	182g	200g
Open Collector	PNP/NPN	

* Buzzer 1 : Continuous Sound **Buzzer 2 : Intermittent Sound

Ivory White Silver Color (U) Black Color (K)

Optional Parts

Optional Parts



Upper Bracket

SZ-60NPT
(for 1/2" NPT Pole)

Upper Bracket

SZ-60-U

Pole

21.7mm

Height

Steel Pole

Model	POLE-800S21	POLE-300S21	POLE-100S21
Height	800mm	300mm	100mm

Aluminum Pole

Model	POLE-800A21	POLE-300A21	POLE-100A21
Height	800mm	300mm	100mm

Mounting Bracket		Wall Mount Bracket	
SZ-016A (For ϕ 21.7mm Pole)	SZ-70-B (For ϕ 21.7mm Aluminum Pole Only)	SZ-020 (For ϕ 21.7mm Pole)	SZ-017 (For ϕ 21.7mm Pole)