

Audible Alarm with Revolving Light Instruction Manual

[TYPE : RT]

Thank you very much for purchasing our Patlite products. Prior to installation, read this manual thoroughly before using this product to ensure correct use. In addition, please store this manual for future reference when performing maintenance, repairs or inspections. If there are any questions concerning this product, refer to the contact information at the end of this document and contact your nearest PATLITE Sales Representative.

Safety Precautions

In order to prevent any damage to the user and other personnel or to assets, note the following:

The following symbols classifies the following precautions into two categories and explains the level of harm inflicted when caution is disregarded while using this product.

DANGER	Indicates a dangerous condition: failure to follow the instructions will result in death or serious injury.
WARNING	Indicates an imminently dangerous condition: failure to follow the instructions may lead to death or serious injury.
CAUTION	Indicates a potentially dangerous condition: failure to follow the instructions may lead to slight injury or property damage.
Notes	Notice regarding supplementary information or convenient explanation is indicated.

1. Safety Precautions

DANGER	<ul style="list-style-type: none"> Do not put the flammable material, such as paper or cloth, on the rotating light while it is in operation. It may cause a fire.
---------------	---

WARNING	<ul style="list-style-type: none"> Be sure to turn the power off before wiring or installing the product. Failure to do so may cause electric shock. Do not disassemble or modify this product. Failure to comply may result in electrical shock, or fire. Wire the product correctly. If the wiring is incorrect, internal circuitry may become damaged, which may result in malfunction or fire. Be sure to use this product within the rated voltage range. Failure to do so may result in damage or fire. Be sure to let specialists perform installation task which requires construction work. Failure to do so may cause electric shock, fire, or falling.
----------------	---

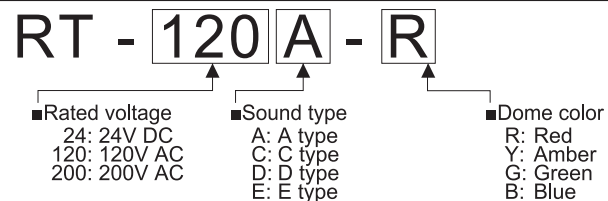
CAUTION	<ul style="list-style-type: none"> To protect the power source and internal circuitry, be sure to install an external fuse. Make sure not to use any other bulbs except ones described in specifications. Do not operate this product with the dome removed, to prevent injury from burns by the heat of the bulb, or from the mirror.
----------------	---

Failures caused by not observing the Warnings and Cautions, or in ways such as disassembling or converting the product, and by natural disasters are not covered under warranty. Do not use this product in ways other than what is described in this document.

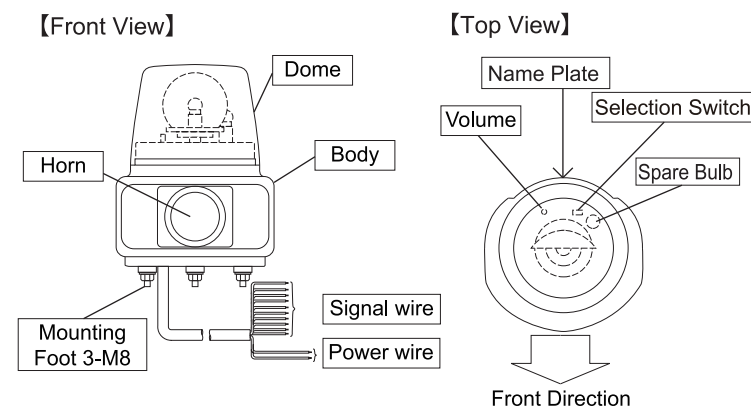
Notes	<ul style="list-style-type: none"> Use the product in an environment where there is no electromagnetic or inductive noise. Speakers are known to generate noise. Use the product in an environment where there is no corrosive gas. Failure to do so may cause malfunction. Before working on the product, discharge any static electricity by touching another grounded metal part with bare hands to discharge the static electricity. When this product is used for security purposes, it should be inspected daily. In case a malfunction should occur, it is recommended that this product be used together with other security products. Do not operate this product with the dome removed, cracked dome or loosened dome. Possible burns from the heat of the bulb, injury from the mirror or the product falling may occur.
--------------	--

*Cautionary note for the built-in Alarm/Melody Although copyright licensing in Japan for the A, C, D type melodies have been obtained for the BD-□AA/C/D at our company, since copyright licensing for other countries outside Japan has not been acquired, it is recommended that the customer acquires it. However, the melodies in the BD-□AE (E type) do not require copyright consent, therefore it is the recommended sound group to use in countries outside of Japan.

2. Model Number Configuration

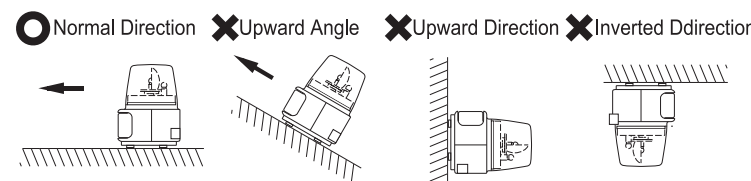
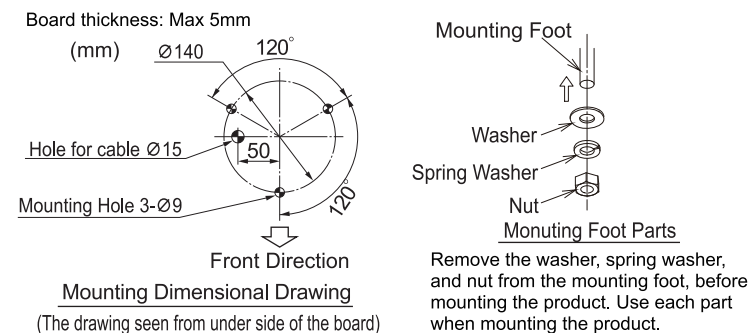


3. Part Names



4. Installation

Create mounting holes on a mounting surface. (Refer to the "Mounting Dimensional Drawing")



WARNING	<ul style="list-style-type: none"> Be sure to turn the power off before wiring or installing the product. Failure to do so may cause electric shock. Be sure to let specialists perform installation task which requires construction work. Failure to do so may cause electric shock, fire, or falling.
----------------	--

CAUTION	<ul style="list-style-type: none"> Choose a location for the mounting surface where there is less vibration and it has enough strength to support the weight of the product. Failure to do so may result in injury or damage to the product.
----------------	---

Notes	<ul style="list-style-type: none"> When mounting in a high place, be sure it is accessible for repair or maintenance work. Install a switch near the main body of this product when connecting it to a power source to be able to easily turn off the power for safety reasons. Do not install with the horn in an upward direction. Damage may occur if dust or water enters. Install the product on a flat surface without bumps and dips. Failure to do so may weaken its resistance to water and dust. To prevent the product from falling in places where vibration may be generated, apply a thread locking adhesive and periodically check the tightness of the mounting hardware. The mounting feet may loosen, due to the resonance of the mounting surface material and thickness, volume of the product and vibration sound being made. The life of the bulb shortens when exposed to intense vibrations.
--------------	--

5. Wiring Installation

For the signal line, use non-voltage external contacts, such as relay switches or an open collector circuit (NPN type). See Table 1, Table 2 and Table 3 below for the contact capacity.

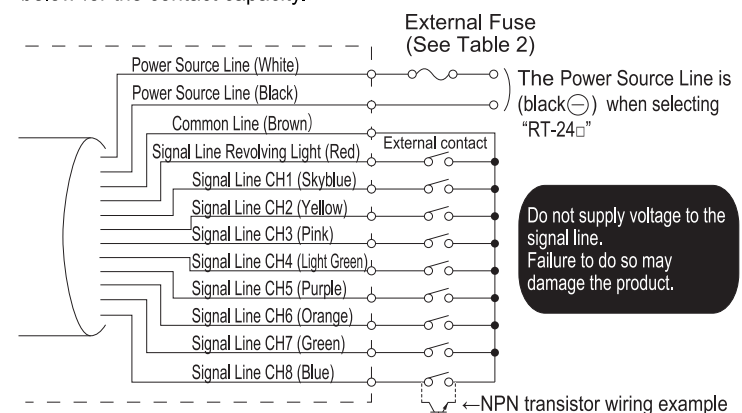


Table 1. Signal Line Circuit		Table 2. Inrush Current/Fuse	
Non-voltage Contact circuit	NPN Open-collector Circuit	Model	Inrush Current
External Contact	External Contact	RT-24□	max. 10A/20ms
6mA	6mA	RT-120□	max. 5A/20ms
RT	RT	RT-200□	max. 2.5A/20ms
Signal Line	Signal Line		Fuse
18V	18V		250V 2A
Common Line	Common Line		250V 0.5A
			250V 0.5A

Table 3. Contact Capacity	
Current Capacity	10mA or more
Withstand Voltage	27V DC or more
Leakage Current	0.1mA or less
ON Voltage(V _{sat})	1V or less

WARNING	<ul style="list-style-type: none"> Install a switch near the main body of this product when connecting it to a power source to be able to easily turn off the power for safety reasons. Wire the product correctly. If the wiring is incorrect, internal circuitry may become damaged, which may result in malfunction or fire.
----------------	---

CAUTION	<ul style="list-style-type: none"> Make sure to connect an external fuse to the power source as shown in the wiring example for safety.
Notes	<ul style="list-style-type: none"> Wire the product correctly, to prevent damage to internal circuitry. To prevent induction noise, it is recommended to make wires as short as possible, and to use shielded wires. Also, a malfunction may occur if a signal line is running parallel to high voltage cables, or signal wires are close enough to receive induction noise. If a non-voltage contact, such as a relay or switch, etc., is used to control the power line, select the proper contact to handle the inrush current. If capacity is insufficient, then it will result in contacts becoming welded or malfunction. When using some products, divide the capacity load onto each contact.

6. Using this Product

6-1. Selection Switch

The following functions are selectable.

6-1-1. Select Sound Groups (Selection Switch No. 1~3)
It is possible to select from eight kinds of sound groups (A-H) by operating selection switch No. 1~3.

- Sound Group A-G (Bit Input)
When the input mode is set for bit input, sounds are selected for the channel number (CH No.) of each group. (Refer to "7-1. Bit Input".)
- Sound Group H (Binary Input)
When the input mode is set for binary input, the sound can be selected for signal lines CH1-CH6 as a binary input, up to 32 sounds. (Refer to the binary code table, "7-2. binary input")

6-1-2. Test Play (Selection switch No.4)

Play CH1 sound by turning the Selection switch to No. 4, while the power is supplied to the product. Use this feature when checking the operation and adjusting the volume.

CAUTION	<ul style="list-style-type: none"> Use a tool, such as tweezers, when operating the Selection Switch. Do not exert excessive force to the Selection Switch, there is a risk of damage the product. Do not connect the signal line with the common line when selecting the test play. While the signal line is connected to the common line in test play mode, it is not possible to play other sounds.
----------------	---

• Sound Chart Type A (RT-□A)

Group	Group A	Group B	Group C	Group D
CH1(Skyblue)	Fur Elise	Mary Had A Little Lamb	Amaryllis	Grandfather's Clock
CH2(Yellow)	Maiden's Prayer	The Camptown Races	Symphony No.40	Ave Maria
CH3(Pink)	Minuet	Cuckoo	Silent Lakeside	Daydream Believer
CH4(Light Green)	Annie Laurie	Blacksmith in the Village	Mountain Musician	London Bridge is Falling Down
CH5(Purple)	London Bridge is Falling Down	On the Avignon Bridge	Romance de Amour	Bell
CH6(Orange)	Hol-D-Li-Dia	Daydream Believer	Petrouchka	Yelp
CH7(Green)	Chime	Chime	Chime	Synthesized Piano
CH8(Blue)	Call Sign	Call Sign	Call Sign	Synthesized Bell
Group	Group E	Group F	Group G	Group H
CH1(Skyblue)	Romance de Amour	Mary Had A Little Lamb	Beep	Binary Mode Use CH1-CH6 to select sounds 1-32
CH2(Yellow)	The Camptown Races	Symphony No.40	Stutter	
CH3(Pink)	Minuet	Hol-D-Li-Dia	Bell	
CH4(Light Green)	Ave Maria	Daydream Believer	Yelp	
CH5(Purple)	Stutter + Bell	Rapid Hi-Lo	Rapid Hi-Lo	
CH6(Orange)	Synthesized Melody Chime	Melody Chime	Melody Chime	
CH7(Green)	Synthesized Piano	Synthesized Piano	Synthesized Piano	
CH8(Blue)	Synthesized Bell	Synthesized Bell	Synthesized Bell	

Sound List		Sound No.	
01 Beep	09 Stutter + Bell	17 London Bridge is Falling Down	25 Amaryllis
02 Stutter	10 Synthesized Melody Chime	18 Hol-D-Li-Dia	26 Symphony No.40
03 Bell	11 Chime	19 Mary Had A Little Lamb	27 Silent Lakeside
04 Yelp	12 Call Sign	20 The Camptown Races	28 Mountain Musician
05 Rapid Hi-Lo	13 Fur Elise	21 Cuckoo	29 Romance de Amour
06 Melody Chime	14 Maiden's Prayer	22 Blacksmith in the Village	30 Petrouchka
07 Synthesized Piano	15 Minuet	23 On the Avignon Bridge	31 Grandfather's Clock
08 Synthesized Bell	16 Annie Laurie	24 Daydream Believer	32 Ave Maria

• Sound Chart Type C (RT-□C)

Group	Group A	Group B	Group C	Group D
CH1(Skyblue)	Can't take my eyes off of you	Canon	I don't want to miss a thing	Ima sugu Kiss Me
CH2(Yellow)	Top of the World	La-La Sunshine	Yozora no Mukou	Haru yo, Koi
CH3(Pink)	The Entertainer	Space Battleship Yamato	Ai wa Katsu	Space Battleship Yamato
CH4(Light Green)	Amazing Grace	Oshiete	Truth	La-La Sunshine
CH5(Purple)	Amairo no Kami no Otome	Makenai de	Gats Daze !!	Can't take my eyes off of you
CH6(Orange)	Les Champs-Elysees	Gonna Fly Now(Theme of "Rocky")	Odoru Ponpokorin	Gonna Fly Now(Theme of "Rocky")
CH7(Green)	Chime	Chime	Chime	Chime
CH8(Blue)	Call Sign	Call Sign	Call Sign	Call Sign
Group	Group E	Group F	Group G	Group H
CH1(Skyblue)	Amairo no Kami no Otome	Beep	Odoru Ponpokorin	Binary Mode Use CH1-CH6 to select sounds 1-32
CH2(Yellow)	Makenai de	Stutter	Ai wa Katsu	
CH3(Pink)	Gats Daze !!	Stutter + Bell	Truth	
CH4(Light Green)	Top of the World	Synthesized Melody Chime	Aux Champs-Elysees	
CH5(Purple)	Canon	Synthesized Piano	Amazing Grace	
CH6(Orange)	Haru yo, Koi	Synthesized Bell	Yozora no Mukou	
CH7(Green)	Chime	Chime	Chime	
CH8(Blue)	Call Sign	Call Sign	Call Sign	

Sound List		Sound No.	
01 Beep	09 Stutter + Bell	17 Amairo no Kami no Otome	25 I don't want to miss a thing
02 Stutter	10 Synthesized Melody Chime	18 Aux Champs-Elysees	26 Yozora no Mukou
03 Bell	11 Chime	19 Canon	27 Ai wa Katsu
04 Yelp	12 Call Sign	20 La-La Sunshine	28 Truth
05 Rapid Hi-Lo	13 Can't take my eyes off of you	21 Space Battleship Yamato	29 Gattsudaze
06 Melody Chime	14 Top of the World	22 Oshiete	30 Odoru Ponpokorin
07 Synthesized Piano	15 The Entertainer	23 Makenai de	31 Ima sugu Kiss Me
08 Synthesized Bell	16 Amazing Grace	24 Gonna Fly Now(Theme of "Rocky")	32 Haru yo, Koi

(No.) Author: (13) BOB GREW (14) RICHARD LYNN CARPENTER (15) SCOTT JOPLIN (16) JAMES P. CARRELL (17) Kouichi Sugiyama (18) MICHAEL WILSHAW (19) JOHANN PACHELBEL (20) Ichi Hiromasa (21) Hiroshi Miyagawa (22) Takeo Watanabe (23, 30) Tetsuro Oda (24) BILL CONTI (25) DIANE EVE WARREN (26) Yuka Kawamura (27) KAN (28) Masahiro Andoh (29) Totatsu Matsumoto (31) Tatsuya Hirakawa (32) Yumi Matsutoya



