

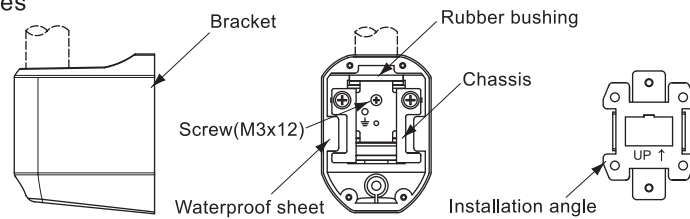
PATLITE® INSTRUCTION MANUAL

[Model SZ-020] [Model SZ-021]
for ϕ 21.7 pole for ϕ 17.3 pole

Thank you for specifying the PATLITE Signal Tower for your application. Please read these instructions carefully before you perform installation, maintenance and repair. Store this manual carefully for easy reference. If you have any questions about this product, please contact PATLITE Corporation.

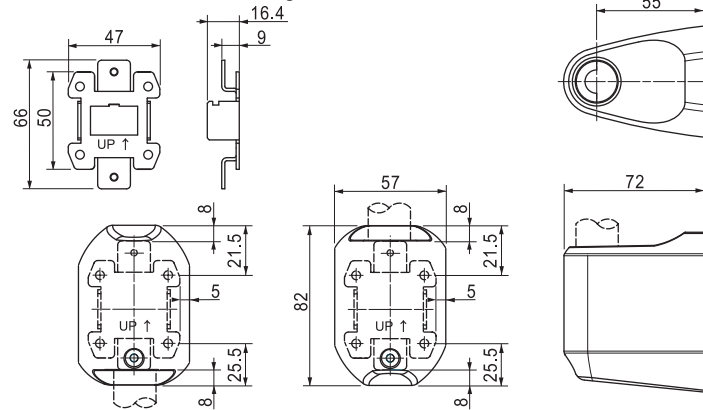
1. Part names and Dimensions

●Part names



●Dimensions

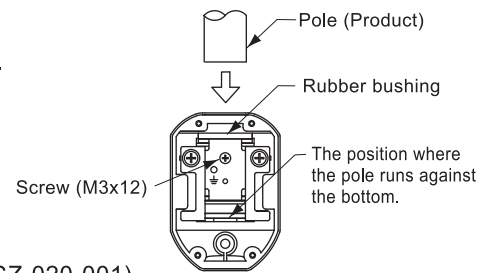
[Dimensions of Installation angle]



2. How to assemble

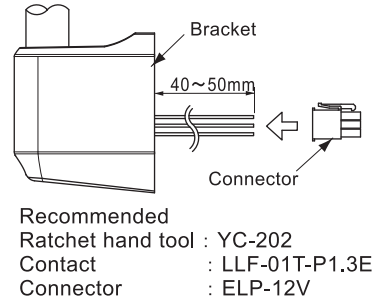
●How to assemble

- Loosen the screw which is fixing the pole. (See 1.Parts name and Dimensions.)
- Insert the pole from upside of the bracket until the pole runs against the bottom.
- Tighten the screw which is fixing the pole.



●How to assemble with optional parts(SZ-020-001)

- Loosen the screw which is fixing the pole. (See 1.Parts name and Dimensions.)
- Insert the pole from upside of the bracket until the pole runs against the bottom.
- Tighten the screw which is fixing the pole.
- Cut the lead wires which come out of the bracket as the size of the figure(about 40~50mm).
- Crimp the optional contacts to the tips of the lead wires.
- Insert the contacts in the connector so that you may not make a mistake of the position.



Caution

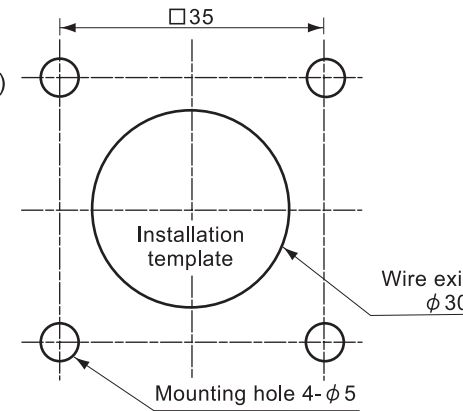
- When you insert the pole, make sure that the rubber bushing is not be deformed. It may cause a malfunction with the waterproof structure.
- When you insert the pole, make sure that lead wires will be caught between the bracket and the pole.
- When you touch the conductive part at the lead wires, make sure to discharge a static electricity.
- In the case of using the Aluminum Pole, Please remove the O-ring attached to the distal end portion of the Aluminum Pole.

3. Installation

- Mounting
 - Make mounting holes in wall. (See the following installation diagram.)
 - Tighten with nuts and bolts.

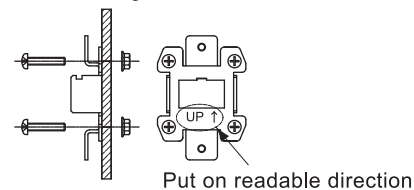
Instruction for this template

- Check the position of the unit to be mounted.
- Secure template with tape.
- Make hole positions on the paper with a hole puncher.
- Drill holes at the marked Positions. ※ Drill holes at the mounting surface after determine the direction of nameplate and wire exit.

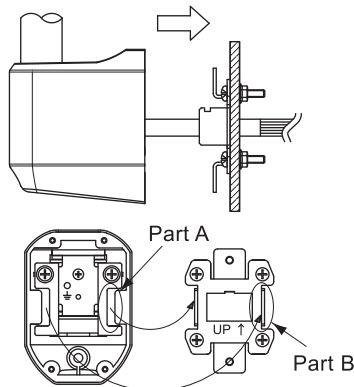


●In case of standard model(SZ-020 / 021)

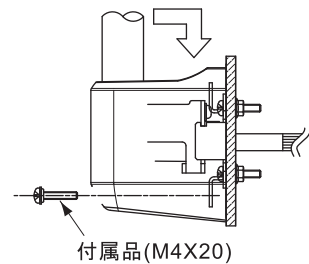
- Drill mounting holes in the wall. (Refer to Mounting hole template.)
- Install the installation angle on the wall with the screws and the nuts attached. Make sure of the direction of UP ↑ mark stamped with the installation angle. Install this product at a location that has sufficient strength and minimal vibration.



- Protect wires by attached vinyl tube from being cut. Install the bracket perpendicular to the wall. Insert A part of the installation angle into B part of the bracket. Let the bracket adhere to the wall. Then, make sure not to catch the lead wires.

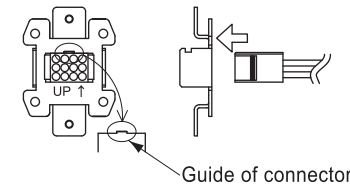


- Lower the bracket downward, pressing the bracket toward the wall. (The installation angle is caught on the chassis of the bracket.) Fix firmly by the screw with a o-ring and a flat washer attached.

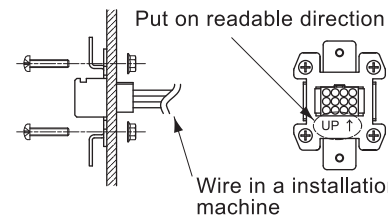


●In case of standard model with optional parts (SZ-020 / 021+SZ-020-001)

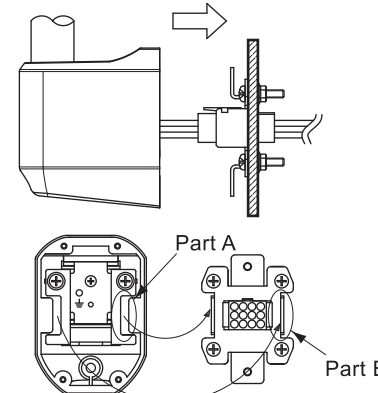
- Drill mounting holes in the wall. (Refer to Mounting hole template.) Insert the connector in the installation angle attached. Make sure of the direction of the connector.



- Install the installation angle on the wall with the screws and the nuts attached. Make sure of the direction of UP ↑ mark stamped with the installation angle. Install this product at a location that has sufficient strength and minimal vibration.

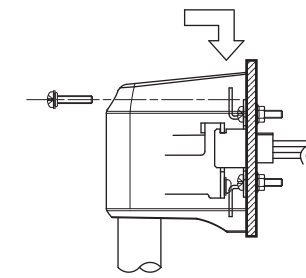


- Connect firmly the connector of the Signal Tower with the connector of the installation angle. Install the bracket perpendicular to the wall. Insert A part of the installation angle into B part of the bracket. Let the bracket adhere to the wall. Then, make sure not to catch the lead wires.



- Lower the bracket downward, pressing the bracket toward the wall. (The installation angle is caught on the chassis of the bracket.) Fix firmly by the screw with a o-ring and a flat washer attached. (※See the figure of standard type ④.)

○The product can be fixed temporarily by revolving it downward at an angle of 180°.



- Let the Signal tower revolve downward at angle of 180° with the connector connected.
- This installation is the same as a vertical position with the screw attached.

Caution

- Install the Signal Tower vertically at a location that has sufficient strength and minimal vibration.
- Use the soft cloth with moisture when the LED unit or bodies must be cleaned up. (Do not use thinner, benzene, gasoline or oil or any other solvents.)
- When you install this product, do not remove waterproof sheet. It may cause an obstacle.
- There is not a function of waterproof in case the Signal Tower are revolved 180°.

Caution

- PATLITE Corporation disclaims all liability for any malfunction or damage occurring as a result of handling contrary to the instructions, cautions and warnings mentioned in this manual.
- Specifications may change without notice due to continual product improvement.

PATLITE Corporation G2J

PATLITE Corporation ※Head office	www.patlite.com/
PATLITE (U.S.A.) Corporation	www.patlite.com/
PATLITE Europe GmbH ※Germany	www.patlite.eu/
PATLITE (SINGAPORE) PTE LTD	www.patlite-ap.com/
PATLITE (CHINA) Corporation	www.patlite.cn/
PATLITE KOREA CO., LTD.	www.patlite.co.kr/
PATLITE TAIWAN CO., LTD.	www.patlite.tw/
PATLITE (THAILAND) CO., LTD.	www.patlite.co.th/
PATLITE MEXICO S.A. de C.V.	www.patlite.com.mx/