

Signal Tower
Signalturn
Tour lumineuse de signalisation
Torre di segnalazione
Torre de señal

Installation Manual
Installationsanleitung
Manuel d'installation
Manuale di installazione
Manual de instalación

- Installation Wiring
- Installation Verkabelung
- Installation Câblage
- Installazione Cablaggio
- Instalación Cableado

TYPE LR6-WC / LR6-WM / LR4-WC

Visit our homepage (www.patlite.com/) and download the LR Complete Operation Manual to find more about the operating method and features.

Notice to Customer Thank you very much for purchasing our Patlite products.

- This product requires installation, wiring, and other related work. Be sure to ask an expert technician to perform these procedures.
- This installation manual is intended for the technician who performs the installation and wiring of the product.
- A separate user's manual is provided for customers who operate the product after installation. Be sure to read the user's manual before operating the product.

WARNING Indicates an imminently dangerous condition: failure to follow the instructions may lead to death or serious injury.

- Request the installation and wiring to be accompanied by a professional contractor. If installation is done improperly, it may result in fire, electric shock, falling, or malfunction.

CAUTION Indicates a potentially dangerous condition: failure to follow the instructions may lead to slight injury or property damage.

- Use a soft cloth dampened with water to clean the product. (Do not use thinner, benzene, gasoline or oil.)

Hinweis an den Kunden Vielen Dank, dass Sie unser Patlite-Produkt erworben haben.

- Dieses Produkt erfordert Installations-, Verkabelungs- und andere Arbeiten. Bitte Sie stets einen erfahrenen Techniker, diese Arbeiten durchzuführen.
- Diese Installationsanleitung richtet sich an die Techniker, die die Installation und Verkabelung für dieses Produkt ausführen.
- Für die Kunden, die das Produkt nach der Installation verwenden, steht eine separate Bedienungsanleitung zur Verfügung. Lesen Sie stets die Bedienungsanleitung, bevor Sie das Produkt verwenden.

AVVERTIMENTO Indica una situazione potenzialmente pericolosa: il mancato rispetto delle istruzioni potrebbe causare lesioni gravi o la morte.

- Chiedete l'installazione e il cablaggio ad un professionista. Se l'installazione è eseguita in modo errato, può provocare un incendio, scosse elettriche, cadute o malfunzionamenti.

VORSICHT Weist auf eine potentiell gefährliche Situation hin: Die Nichtbefolgung der Anweisungen kann zu einer leichten Verletzung oder einem Sachschaden führen.

- Verwenden Sie ein weiches Tuch, das mit Wasser angefeuchtet, um ein Produkt zu reinigen. (Verwenden Sie keinen Verdüner, Benzin, Benzin oder Öl.)

Avis au client Nous vous remercions d'avoir acheté notre produit Patlite.

- Ce produit nécessite une installation, un câblage et d'autres travaux connexes. Assurez-vous de faire appel à un technicien expérimenté pour effectuer ces procédures.
- Ce manuel d'installation est destiné au technicien qui effectue l'installation et le câblage de l'appareil.
- Un mode d'emploi séparé est fourni aux clients qui utilisent le produit après l'installation. Veuillez à lire le manuel d'utilisation avant d'utiliser le produit.

AVERTISSEMENT Indique une situation dangereuse imminente : le non-respect de ces consignes peut entraîner la mort ou des blessures graves.

- Demandez à ce que l'installation et le câblage soient effectués en présence d'un professionnel. Si l'installation est réalisée de façon incorrecte, il existe un risque d'incendie, de choc électrique, de chute ou de dysfonctionnement.

ATTENTION Indique une situation potentiellement dangereuse : le non-respect de ces consignes peut entraîner de légères blessures ou des dommages matériels.

- Utilisez un chiffon doux imbibé d'eau pour nettoyer le produit. (N'utilisez pas de diluant, d'essence, d'essence ou d'huile.)

Avviso al cliente Grazie per aver acquistato il nostro prodotto Patlite.

- Questo prodotto richiede l'installazione, il collegamento elettrico e altri lavori. Assicurarsi di chiedere a un esperto tecnico di eseguire questi lavori.
- Questo manuale di installazione deve essere utilizzato dal tecnico che esegue l'installazione e il cablaggio elettrico del prodotto.
- Un manuale dell'utente separato è fornito per i clienti che utilizzano il prodotto dopo l'installazione. Assicurarsi di leggere il manuale dell'utente prima di mettere in funzione il prodotto.

AVVERTENZA Indica un'imminente situazione di pericolo: il mancato rispetto delle istruzioni potrebbe causare la morte o lesioni gravi.

- Richiedere l'installazione e il cablaggio ad un professionista. Se l'installazione è eseguita in modo errato, può provocare un incendio, scosse elettriche, cadute o malfunzionamenti.

ATTENZIONE Indica una potenziale situazione di pericolo: il mancato rispetto delle istruzioni potrebbe causare lesioni leggere o danni materiali.

- Utilizzare un panno morbido inumidito con acqua per pulire il prodotto. (Non usare diluente, benzina, benzina o olio.)

Aviso al cliente Gracias por adquirir nuestro producto Patlite.

- Este producto requiere instalación, cableado y otros trabajos relacionados. Asegúrese de solicitar a un técnico experto la realización de estos procedimientos.
- Este manual de instalación ha sido elaborado para el técnico que lleva a cabo la instalación y el cableado del producto.
- Se proporciona por separado un manual del usuario para los clientes que usarán el producto después de la instalación. Asegúrese de leer el manual del usuario antes de utilizar el producto.

ADVERTENCIA Indica una condición de riesgo inminente: no observar estas instrucciones podría causar lesiones graves o incluso la muerte.

- Solicite que la instalación y el cableado sean realizados por un contratista profesional. Si la instalación se realiza de forma incorrecta, podría causar incendios, descargas eléctricas, caídas o un fallo de funcionamiento.

ATENCIÓN Indica una situación potencialmente peligrosa: no observar estas instrucciones podría causar lesiones leves o daños materiales.

- Utilice un paño suave humedecido con agua para limpiar el producto. (No use diluyente, bencina, gasolina o aceite.)

To Installers or Contractors

- Read this manual thoroughly before using this product to ensure correct use.
- If there are any questions concerning this product, refer to the contact information at the end of USER's manual and contact your nearest PATLITE Sales Representative.

Für Installateure und Fachpersonal

- Lesen Sie diese Anleitung sorgfältig, bevor Sie dieses Produkt verwenden, um die ordnungsgemäße Verwendung zu gewährleisten.
- Wenn Sie irgendwelche Fragen zu diesem Produkt haben, verwenden Sie die Kontaktinformationen am Ende der Bedienungsanleitung und wenden Sie sich an Ihren nächstgelegenen PATLITE-Vertriebsmitarbeiter.

Aux installateurs ou aux entrepreneurs

- Lisez attentivement ce manuel avant d'utiliser ce produit pour garantir une utilisation correcte.
- Si vous avez des questions concernant ce produit, reportez-vous aux coordonnées figurant à la fin de ce mode d'emploi de l'appareil et contactez votre représentant de vente PATLITE le plus proche.

Per gli installatori o gli appaltatori

- Leggere attentamente il manuale prima di utilizzare questo prodotto per garantirne un uso corretto.
- Se vi sono domande riguardanti questo prodotto, fare riferimento alle informazioni di contatto alla fine di Manuale dell'utente e contattare il più vicino rappresentante di vendita PATLITE.

Para instaladores o contratistas

- Lea atentamente este manual antes de utilizar este producto para asegurar un uso correcto.
- Si tiene preguntas relacionadas con este producto, consulte la información de contacto que se encuentra al final de Manual del usuario o póngase en contacto con su representante de ventas PATLITE más cercano.

1 Read this First (Safety Precautions)

Warning

- To prevent from short-circuits, electric shock or damage, observe the following:
 - Be sure the power is disconnected before replacement or repair, including the replacement of the fuse.
 - Use this product in a properly maintained condition. (Replace or repair if the body, LED unit, etc. are damaged.)
- Request the installation and wiring to be performed by a professional contractor if construction work is involved. Failure to comply may result in fire, electric shock or falling from high places may occur.

Caution

- Avoid long exposure to the Buzzer sound from a close distance. Failure to observe this may lead from irritation to permanent damage to the ears. (Used when buzzer unit is attached.)
- In order to maintain protection of this product against dust and waterproofing performance, be sure to use the head cover, LED unit and buzzer unit in the condition that it was originally attached.
- Do not operate this product without the O-ring or the waterproof packing material. Failure to comply will result in lower waterproofing performance. Possible cause of failure may occur.
- When removing covers or packing from the equipment, which is attached to this product, be careful not to snag the product. Failure to comply may result in damage to the product.

Notice

- To ensure proper safety while using this product, observe the following:
 - Perform periodic pre-maintenance.
 - As a precaution against problems occurring, use this product together with other equipment.
- Be sure to discharge any static electricity from the body before handling static sensitive parts of this product. (To prevent damage from static electricity, touch hands or other body parts to metals or an earth ground to discharge the body from static charge.)
- Use a soft cloth moistened with water when the LED Unit or body must be cleaned up. (Do not use thinner, benzene, gasoline or oil.)
- To ensure safety when this product is installed onto equipment, observe the following:
 - Do not remove parts beyond those designed to be removed from this product.
 - Do not modify or disassemble this product.
 - Use only the specified replacement parts listed in the LR Complete Operation Manual.

2 Model Number Configuration

Assembly Model	Model	Tiers	Rated Voltage	Mounting/Wiring	Flashing/Buzzer	Body Color	LED Unit Color
LR6-302WCNW-RYG	LR6	3	02	WC	N	W	RYG
Unit Model (Body Unit)	LR6	-	02	WC	N	W	
Unit Model (Body Unit)	LR6	-	02	WM	N	W	
Unit Model (Body Unit)	LR4	-	02	WC	N	W	

LR6 Ø60	3 Tiers	02 24V DC	N No Flashing / Buzzer	W Off-white
LR4 Ø40				

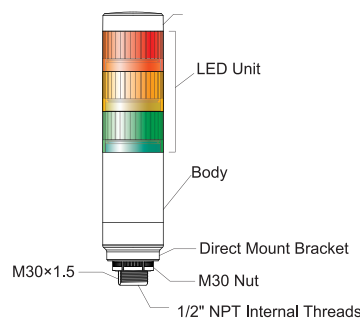
WC	Direct Mount / M12 Connector (Mounting with M30 Nut)
WM	Direct Mount / M12 Connector

LED Color:
R (Red) / Y (Amber) / G (Green)
(From top to bottom)

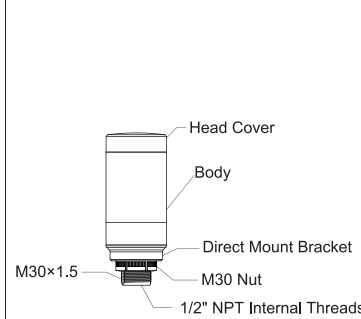
*Only above four models are available.

3 Part Names

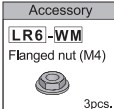
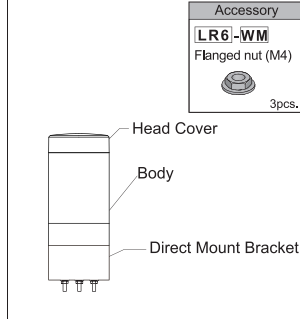
LR6-302WCNW-RYG



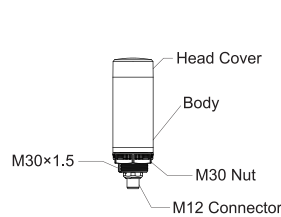
LR6-02WCNW



LR6-02WMNW



LR4-02WCNW



4 How to Install

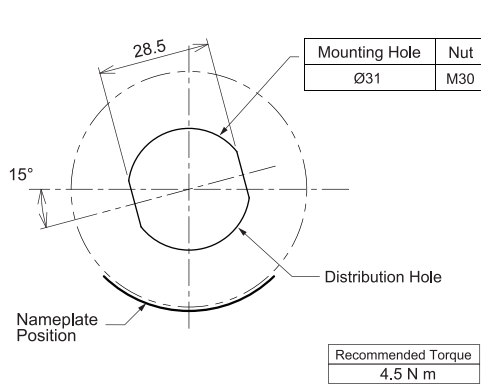
Notice

- The following requirements are necessary for proper installation:
 - Install this product where excessive vibration is not present.
 - Install this product on a sturdy surface.
 - Install this product on a level surface.
- Only install this product in an upright position.
- When the installation location is unavoidably irregular and waterproof performance is required, use a sealant between the product and the installation surface.

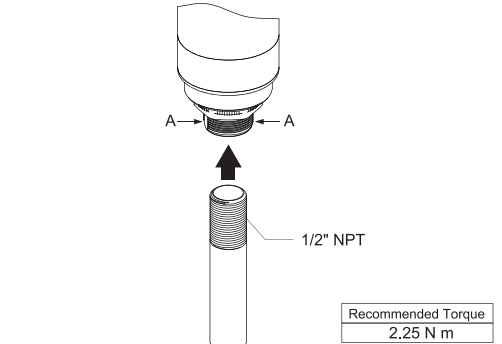
Basic Mounting Instructions

- 1 Make mounting holes for the product. (Refer to the compatible installation figure or mounting dimensional drawing.)
- 2 Run the wiring through the distribution hole.
- 3 Secure the product with the nuts and screws included.

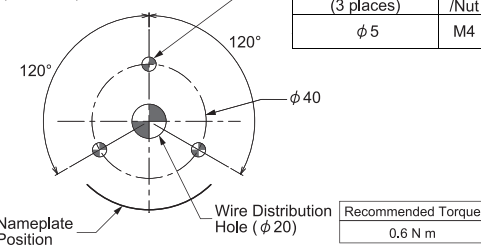
WC Mounting Dimensional Drawing (M30x1.5 Installation) (Unit: mm)



LR6 - WC Installation Figure (1/2" NPT Installation Figure) (Unit: mm)



WM Mounting Dimensional Drawing (Unit: mm)



5 Wiring

Warning

- Be sure the power is disconnected before wiring and changing fuses. Possible cause of short-circuiting may occur.
- Ensure the proper working voltage is used and that direct current or alternating current is properly applied. Possible cause of damage or fire may occur.

Caution

- It is not necessary to connect to an external lead for tiers not used. When an extra lead is not connected, it should be individually insulated with electrical tape or something similar. Failure to comply will result in damage due to short circuiting.
- Do not pull the lead wire or push it inside the body. Product failure will occur.

Notice

- When using multiple LED units of the same color, make the contact capacity equal to the number of same color LED units multiplied by the contact capacity for 1 tier. (This is because LED units of the same color light up for one signal line.)
- To protect the power supply and other internal circuitry, be sure to install an external fuse.
- If wiring is extended beyond its factory length, a relevance in the length of the wire and wire gauge will cause a voltage drop.

External Contact Capacity

Rated Load Voltage	24V DC			
LED Unit (1 Tier)	Signal Wire Current (Max.) / Voltage	45 mA / Power Supply Voltage	Is ≥ 100 mA	Vs ≥ 35 V DC
Buzzer	Signal Wire Current (Max.) / Voltage	250 mA / Power Supply Voltage	Is ≥ 300 mA	Vs ≥ 35 V DC
Power Supply	Current Consumption (Max.)	250 mA (※1)	Is ≥ 500 mA	Vs ≥ 35 V DC
Inrush Current	Signal Wire	LED	None	Buzzer
	Power Supply Wire	None (※3)		
	Leakage Current		IL ≤ 0.1 mA	

Recommended Fuse

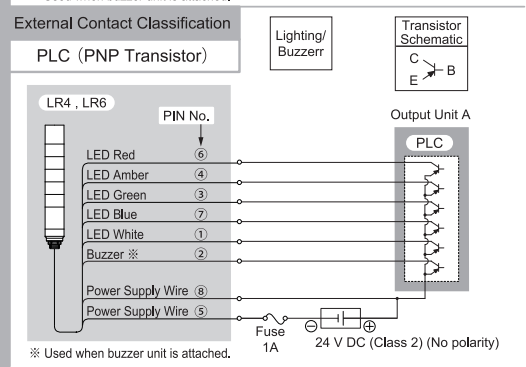
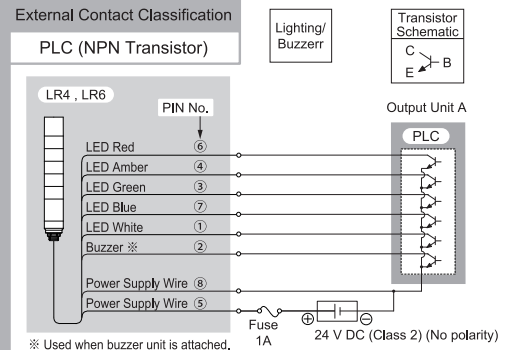
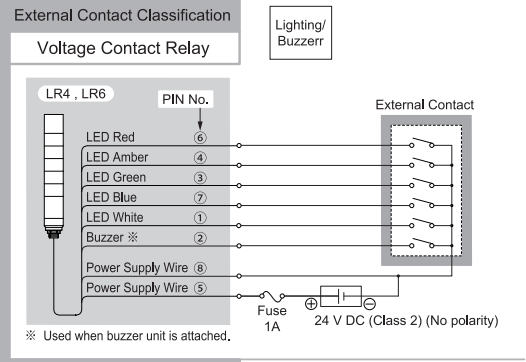
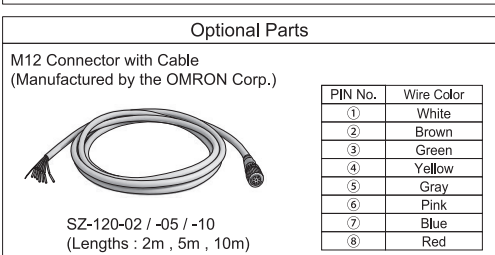
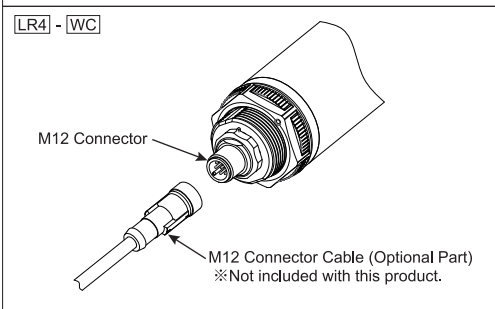
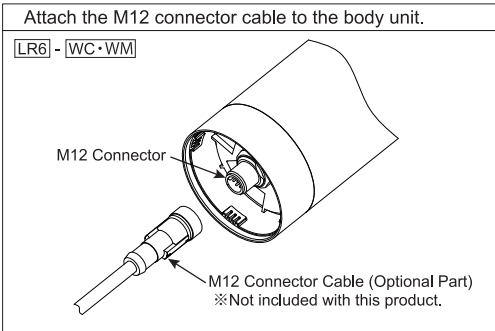
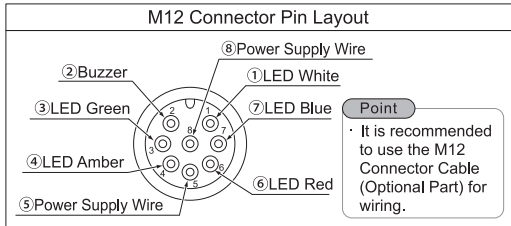
Fuse Ampere Ratings	250 V / 1 A (5x20mm Fast-Acting Glass Body Cartridge Fuse)
---------------------	---

※1 ... Measured with five LED tiers and buzzer operating.
 ※2 ... Not exceeding Maximum Signal Wire Current Ratings.
 ※3 ... Signal Wire Current (Max.) not exceeding the sum total.

Wiring Example

The following is a basic wiring example.

If there are any special applications that require asking questions concerning this product, feel free to contact your PATLITE Sales Representative. Accidental wiring will result in product failure.



6 Specifications

Model	Unit Model Combination			Rated Voltage	Rated Power Consumption
	Body Unit	LED Unit (Max. 5 Units)	Buzzer Unit		
LR6-302WCNW LR6-02WCNW	LR6-02WCN	LR6-E-R , LR6-E-RZ LR6-E-Y , LR6-E-YZ LR6-E-G , LR6-E-GZ LR6-E-B , LR6-E-BZ LR6-E-C LR6-E-MZ	LR6-B	24V DC	Max. 6.6W
LR6-02WMNW	LR6-02WMN				
LR4-02WCNW	LR4-02WCN	LR4-E-R , LR4-E-RZ LR4-E-Y , LR4-E-YZ LR4-E-G , LR4-E-GZ LR4-E-B , LR4-E-BZ LR4-E-C	LR4-B	24V DC	Max. 6.6W

Visit our homepage (www.patlite.com) to download the LR Complete Operation Manual for the LED Unit and Buzzer Unit Model Configuration.

(Conformity Standards)

- UL 508, CSA-C22.2 No. 14
- EMC Directive (EN 61000-6-4, EN 61000-6-2)
- RoHS Directive (EN IEC 63000)
- FCC Part 15 Subpart B Class A
- KC (KN 61000-6-4, KN 61000-6-2)

Conformity requirements for the UL Standard:

- Maximum surrounding air temperature rating of 50 °C
- This product is designed for use on a flat surface for a **Type 1 Enclosure**.
- Use a **"Class 2"** power supply.
- For use in Pollution Degree 2 Environment.

This product has been tested and found to comply with the limits for a Class A device.

These limits are designed to provide reasonable protection against harmful interference when the equipment is operated in a commercial environment.

This product must not be used in residential areas.