

SPECIFICATIONS

[General Specifications]

Product Name	LED Work Light	
Model	CWF3S-M2C-CD	
Rated Voltage	100-240V AC (50/60Hz)	
Operating Voltage Range	Rated Voltage \pm 10%	
Rated Current Consumption	Max.	0.06 A
Rated Power Consumption	Typ.	5 W
Luminous Color	Daylight	
Color Temperature	Typ.	5700 K
Total Luminous Flux	Typ.	500 lm
Illuminance (1m , Center)	Typ.	150 lx
Operating Ambient Temperature	-20 °C to +50 °C	
Operating Ambient Humidity	Less than 90% (No condensation)	
Mounting Location	Indoor	
Mounting Direction	All Directions	
Protection Rating	IP20	
Environmental Condition	All Directions	
Insulation Resistance	More than 5M Ω at 500VDC between live part and non-current carrying metallic part	
Withstand Voltage	1500VAC applied for 1min between live part and non-current carrying metallic part without breaking insulation	
Mass (Tolerance \pm 10%)	460 g	
Outer Dimensions	Refer to the Outer Dimension Drawing	
Conformity Standards	Low Voltage Directive(EN60598-1,EN60598-2-1,EN62471,EN62031,EN62493,EN61347-1,EN61347-2-13,EN62778) EMC Directive (EN 55015,EN61547,EN61000-3-2,EN61000-3-3) KC (KC60598-1,KC60598-2-1,KN15,KN61547-1,KC61347-1,KC61347-2-13)	
Remarks	Specifications and dimensions may change without prior notice for improvements, etc. Due to the characteristics of the LED, color temperature,brightness and hue will differ for every LED and every product.	

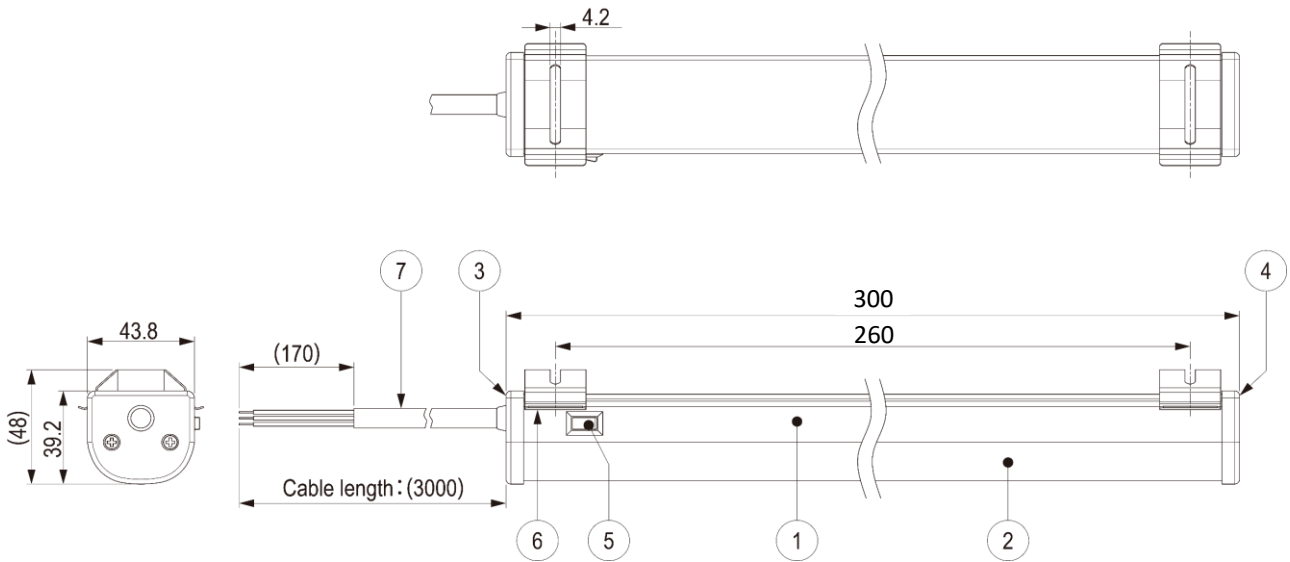
[Model Number Configuration]

Model			Rated Voltage	Luminous Color		
CWF	3	S	-	M2C	-	CD
Length			Rated Voltage			Luminous Color
3 300mm			M2C 100-240V AC			CD Daylight

Drawing No.	Rev.	Page
CWF3S-M2C-W18	A	2 / 2

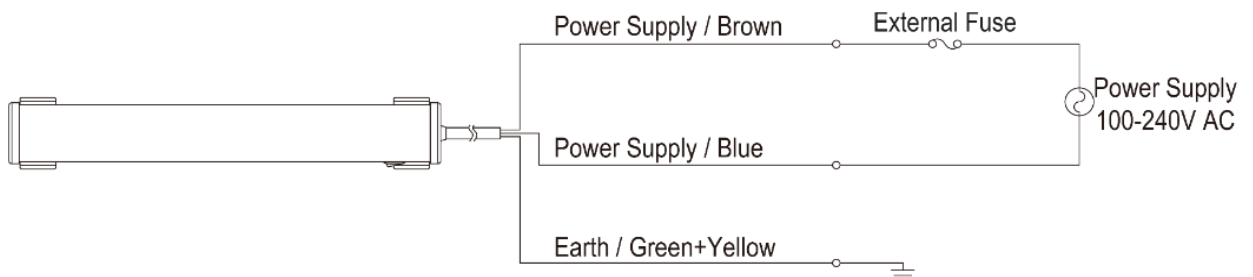
[Outer Dimension Drawing]

[Unit : mm]



Number	Name	Material etc
1	Frame	AL
2	Cover	PC
3	Cap A	PC
4	Cap B	PC
5	Switch	-
6	Bracket	Spring Steel
7	Cable	IEC 60227

[Wiring Diagram]



Cable : IEC 60227 3C AWG18