

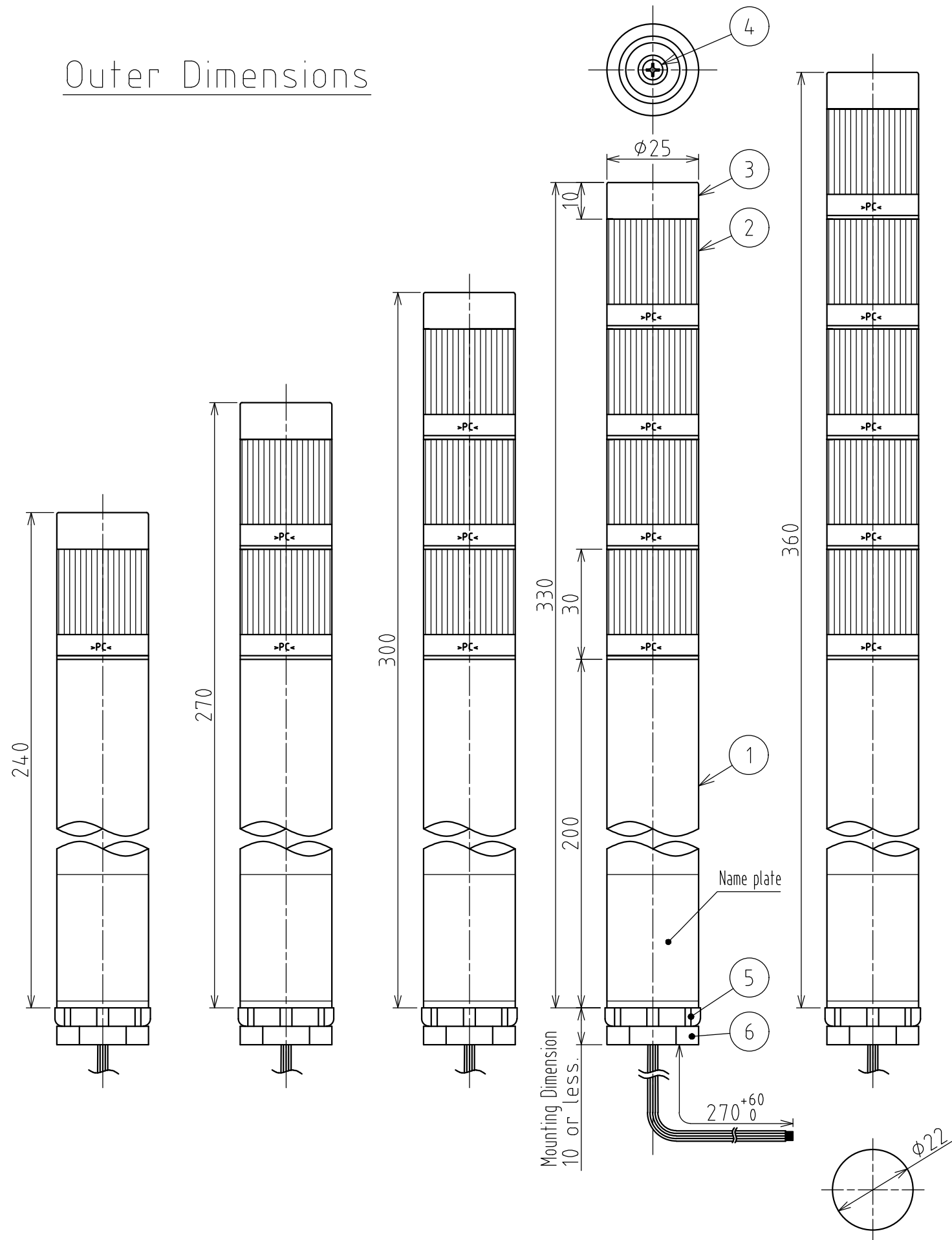
SPECIFICATIONS

[General Specifications]

Product Name		LED Signal Light															
Model	5 tiers	ME-502A															
	4 tiers	ME-402A															
	3 tiers	ME-302A															
	2 tiers	ME-202A															
	1 tier	ME-102A															
UL Registered Model		ME_02A															
Rated Voltage		24 V DC															
Operating Voltage Range		Rated Voltage \pm 10%															
Signal Wire Current (Rated Current Consumption)		Per LED Unit															
		Red	Amber	Green	Blue	White											
		Typ.	25.2mA	25.2mA	13.3mA												
		Max.	30.2mA	29.2mA	17.0mA												
Operating Ambient Temperature		-10 °C to +55°C															
Operating Ambient Humidity		Less than 90 % (No condensation)															
Storage Ambient Temperature		-10 °C to +55°C															
Storage Ambient Humidity		Less than 90 % (No condensation)															
Mounting Location		Indoors															
Mounting Direction		Upright															
Protection Rating		IP 42															
Environmental Condition		Mounted in the upright position															
Vibration Resistance		19.6m/s ² (at 30Hz)															
Insulation Resistance		More than 1M Ω at 500VDC between live part and non-current carrying metallic part															
Withstand Voltage		500VAC applied for 1min between live part and non-current carrying metallic part without breaking insulation															
Luminous Intensity		Red	Amber	Green	Blue	White											
		more than 1300mcd	more than 800mcd	more than 1100mcd	more than 500mcd	more than 800mcd											
Mass (Tolerance \pm 10%)		1 tier	2 tiers	3 tiers	4 tiers	5 tiers											
		0.22kg	0.23kg	0.24kg	0.25kg	0.26kg											
Outer Dimensions		Refer to the Outer Dimension Drawing															
Conformity Standards		<ul style="list-style-type: none"> • EMC Directive (EN 61000-6-4, EN 61000-6-2) • RoHs Directive (EN IEC 63000) • UL 508, CSA-C22.2 No.14 															
Remarks		<ul style="list-style-type: none"> • UL Recognized Component (File No.E215660) • Model Number Configuration ME — I II A — III <table border="1" style="width: 100%; border-collapse: collapse;"> <tr> <td style="width: 33%; vertical-align: top;"> <table border="1" style="width: 100%; border-collapse: collapse;"> <tr> <td style="width: 33%; text-align: center;">I Tier</td> <td style="width: 33%; text-align: center;">II Rated Voltage</td> <td style="width: 33%; text-align: center;">III Luminous Color</td> </tr> <tr> <td>1 : 1Tier 2 : 2Tiers 3 : 3Tires 4 : 4Tires 5 : 5Tires</td> <td>02 : 24V DC</td> <td>R : Red / Y : Amber / G : Green / B : Blue / C : White ※ LED Colors are from top to bottom</td> </tr> </table> </td> <td colspan="2"></td> <td colspan="2"></td> </tr> </table> <ul style="list-style-type: none"> • Confirms to the CE Requirements • Confirms to the UKCA Requirements 					<table border="1" style="width: 100%; border-collapse: collapse;"> <tr> <td style="width: 33%; text-align: center;">I Tier</td> <td style="width: 33%; text-align: center;">II Rated Voltage</td> <td style="width: 33%; text-align: center;">III Luminous Color</td> </tr> <tr> <td>1 : 1Tier 2 : 2Tiers 3 : 3Tires 4 : 4Tires 5 : 5Tires</td> <td>02 : 24V DC</td> <td>R : Red / Y : Amber / G : Green / B : Blue / C : White ※ LED Colors are from top to bottom</td> </tr> </table>	I Tier	II Rated Voltage	III Luminous Color	1 : 1Tier 2 : 2Tiers 3 : 3Tires 4 : 4Tires 5 : 5Tires	02 : 24V DC	R : Red / Y : Amber / G : Green / B : Blue / C : White ※ LED Colors are from top to bottom				
<table border="1" style="width: 100%; border-collapse: collapse;"> <tr> <td style="width: 33%; text-align: center;">I Tier</td> <td style="width: 33%; text-align: center;">II Rated Voltage</td> <td style="width: 33%; text-align: center;">III Luminous Color</td> </tr> <tr> <td>1 : 1Tier 2 : 2Tiers 3 : 3Tires 4 : 4Tires 5 : 5Tires</td> <td>02 : 24V DC</td> <td>R : Red / Y : Amber / G : Green / B : Blue / C : White ※ LED Colors are from top to bottom</td> </tr> </table>	I Tier	II Rated Voltage	III Luminous Color	1 : 1Tier 2 : 2Tiers 3 : 3Tires 4 : 4Tires 5 : 5Tires	02 : 24V DC	R : Red / Y : Amber / G : Green / B : Blue / C : White ※ LED Colors are from top to bottom											
I Tier	II Rated Voltage	III Luminous Color															
1 : 1Tier 2 : 2Tiers 3 : 3Tires 4 : 4Tires 5 : 5Tires	02 : 24V DC	R : Red / Y : Amber / G : Green / B : Blue / C : White ※ LED Colors are from top to bottom															

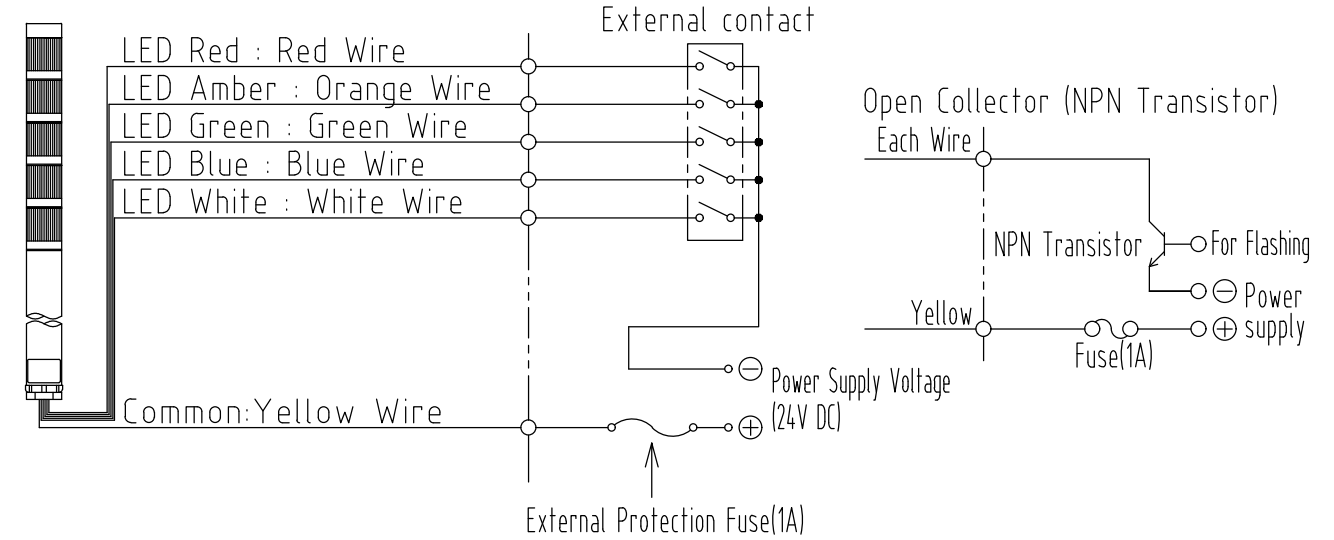
指定公差 General tolerance		角度公差 ±[°] Angular tolerance ±[°]		寸法公差 ±[mm] Dimensional tolerance ±[mm]					図番 Drawing No. ME-502A-W18		ページ Page 2/2	
短辺長 Length of short side	10	50	100	6	30	120	300	1000	改訂 Rev.	年月日 Date	改訂履歴 Revisions	
精 f	1	0.5	0.3	0.1	中 m	0.1	0.3	0.5	0.7	1		
粗 v	3	1.5	1	0.5	粗 c	0.3	0.5	1	1.2	2		

Outer Dimensions



Wiring example

Wire Type : UL1007/AWG22



- [Note]
1. Insulate all unused wires with insulation tape, heat-shrink tubing, etc.
 2. Use a "Class 2" power supply.

6	Gland	1	PF1/2, MFNi
5	Lock Nut	1	PF1/2, MFZn
4	Screw	1	M3, MFZn
3	Head Cover	1	PC, Coating(Silver)
2	LED Unit		LED Color :Red,Amber,Green,Blue,White Lens : PC / Reflector : ABS
1	Body	1	Al
番号 No.	部品名 Part Name	数量 Qty.	記事 Remarks

機種 Model	ME-□02A	特注No. S.P.No.	-	図名 Name	Outer Dimensions Drawing		
品目コード Part No.	-	尺度 Scale	-	三角法 3rd Angle P.	単位 Unit	mm	株式会社 PATLITE Corporation

Mounting hole